

[54] ELECTRONIC BABY GRAND PIANO

1,642,356 9/1927 Brey ..... 84/177

[75] Inventor: Jung H. Dong, Seoul, Rep. of Korea

OTHER PUBLICATIONS

[73] Assignee: Samick Music Corporation, La Puente, Calif.

Lyon & Healy Pianos, 1924, p. 17.  
The Music Trades, Oct. 1985, p. 82.

[\*\*] Term: 14 Years

Primary Examiner—Bernard Ansher  
Assistant Examiner—Adir Aronovich  
Attorney, Agent, or Firm—Christie, Parker & Hale

[21] Appl. No.: 214,376

[57] CLAIM

[22] Filed: Jul. 1, 1988

The ornamental design for an electronic baby grand piano, as shown.

[52] U.S. Cl. .... D17/8

[58] Field of Search ..... D17/1, 2, 5, 7, 8, 9;  
84/172, 176, 177, 180, DIG. 17

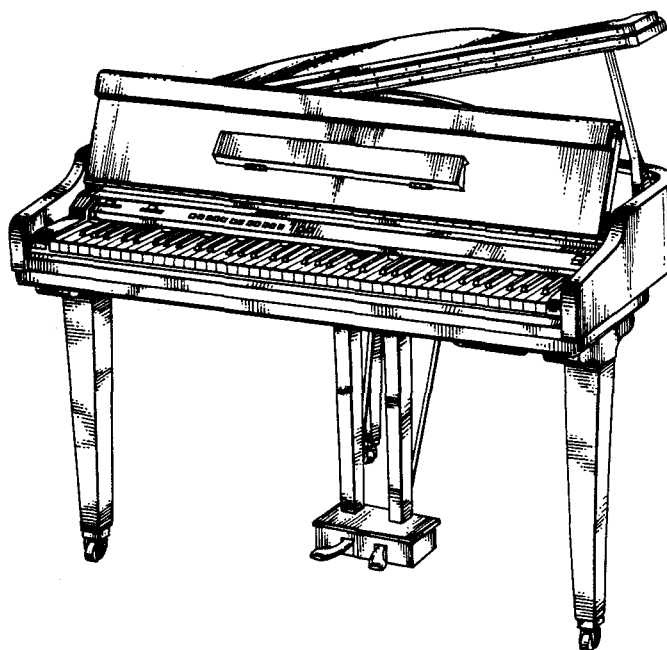
DESCRIPTION

[56] References Cited

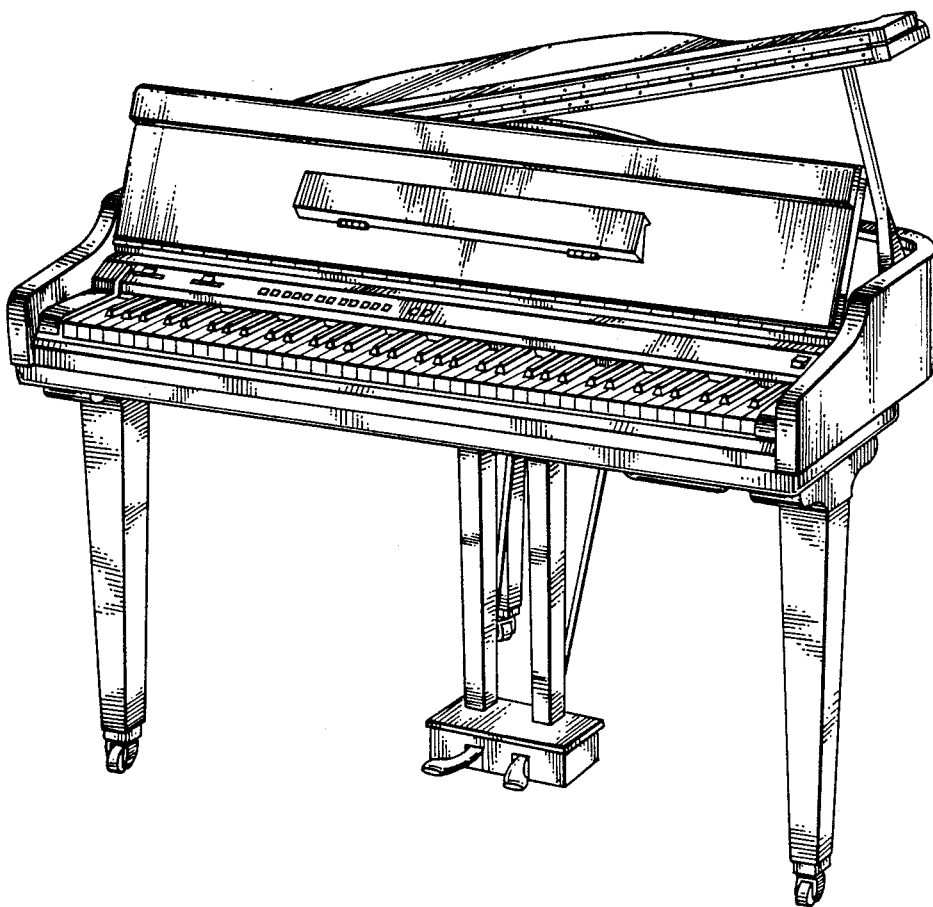
FIG. 1 is a perspective view of an electronic baby grand piano showing my new design;  
FIG. 2 is a top plan view thereof;  
FIG. 3 is a front elevation thereof;  
FIG. 4 is a left side elevational view thereof;  
FIG. 5 is a right side elevational view thereof; and  
FIG. 6 is a rear elevation thereof.

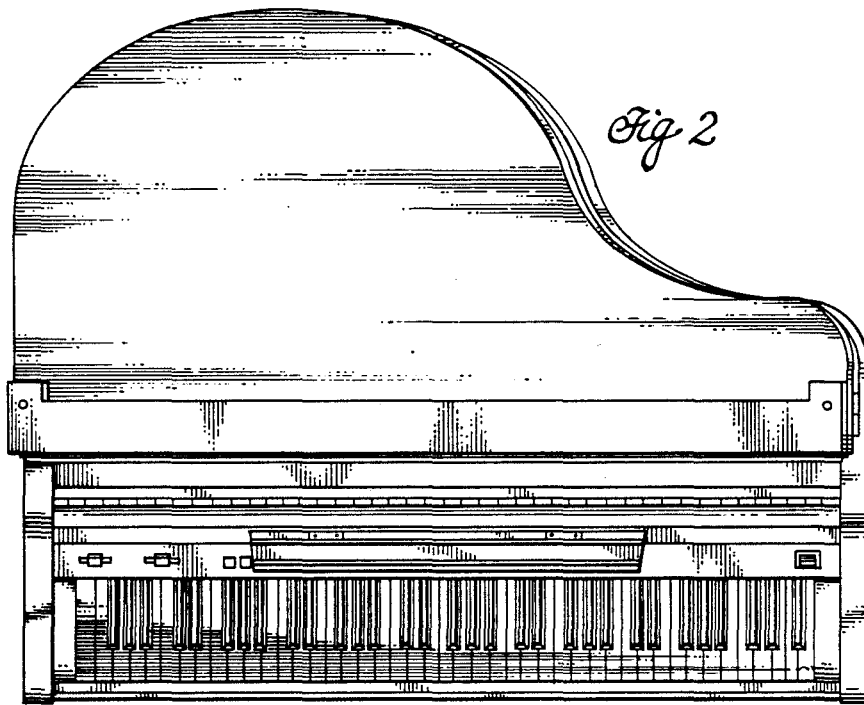
U.S. PATENT DOCUMENTS

D. 56,294	9/1920	McConnell	.....	D17/8
D. 225,374	12/1972	Barket et al.	.....	D17/7
D. 256,130	7/1980	Ohta	.....	D17/8
D. 260,528	9/1981	Decker	.....	D17/8

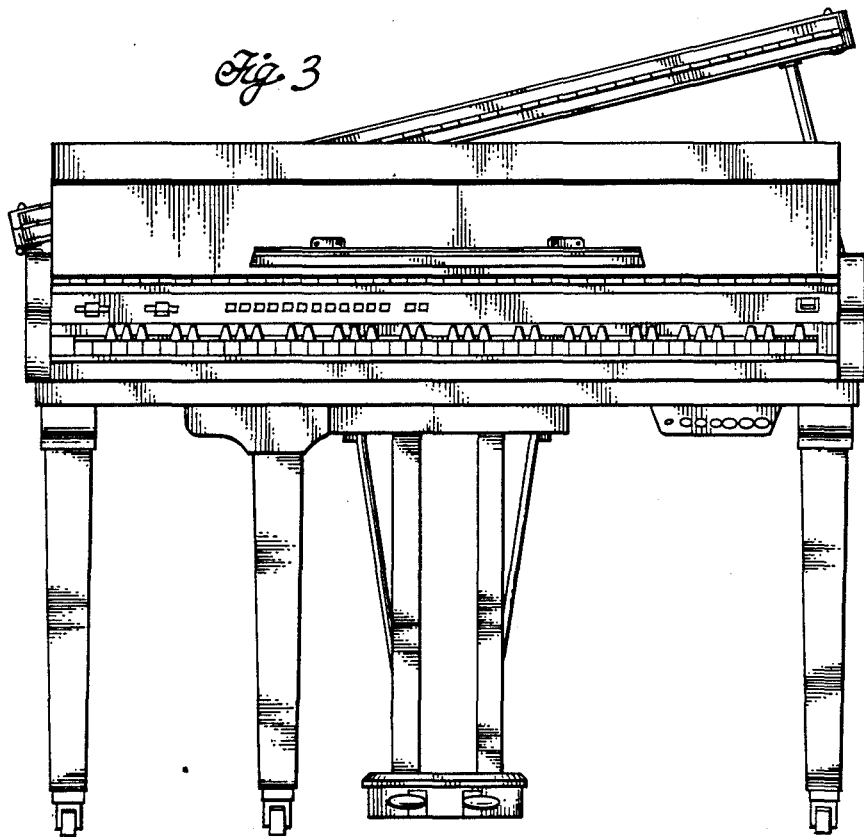


*Fig. 1*

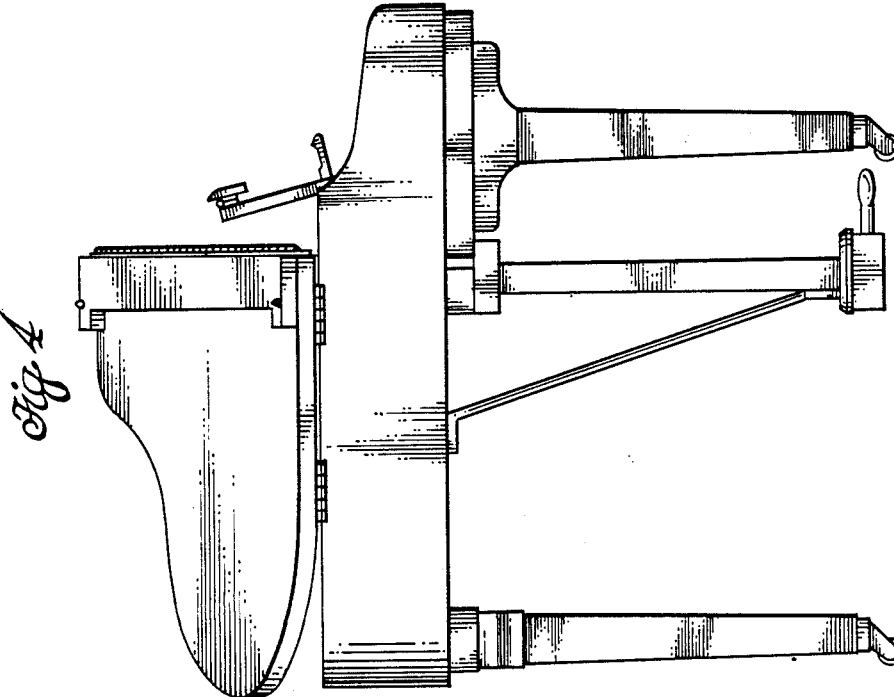
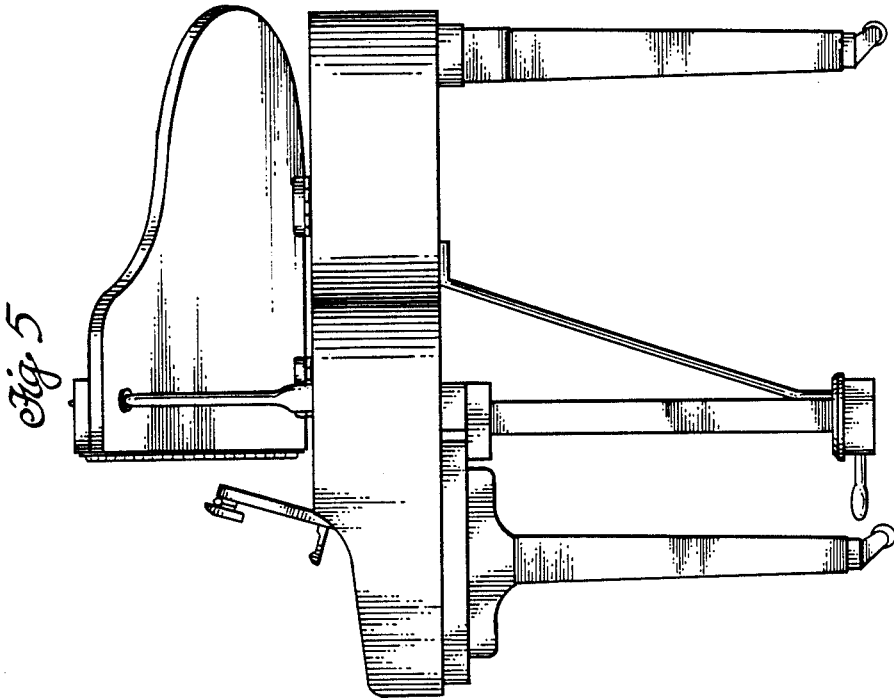




*Fig 2*



*Fig 3*



*Fig 6*

